


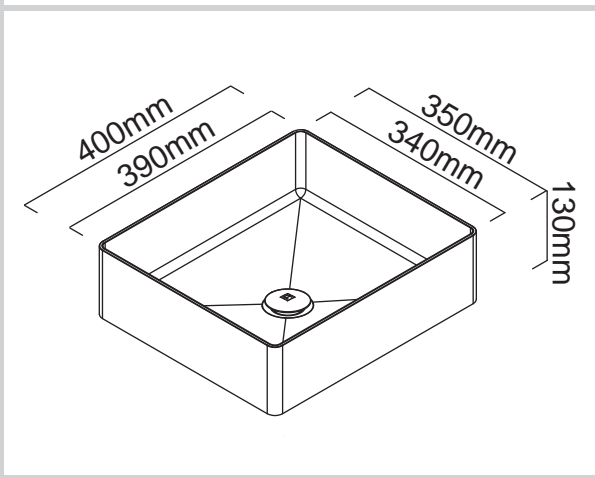
Model Code: 304SQ-G

### Included Accessories

		
304VBW-G		

### Optional Accessories


### Dimensions



### Specifications

Description	Single Bowl
Overall Sink Size	400mm x 350mm x 130mm deep
Bowl Dimensions	390mm x 340mm x 105mm deep
Drainer Length	N/A
Technic	Fabrication
Material	Stainless steel SUS304

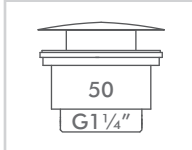
### Installation

Fixings	N/A
Template	N/A
Min Cabinet Size	N/A
Waste Holes	1 x 52mm round

#### SURFACE FINISH



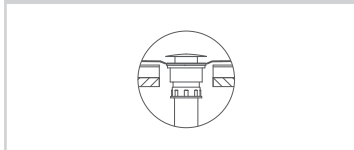
#### WASTE KIT



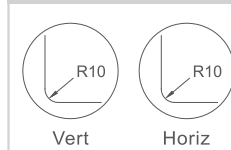
#### MATERIAL



#### INSTALLATION OPTIONS



#### PROFILE



### Plumbing

Waste Fittings	1 x (52mm x 1 1/4") cover waste included
Overflow	N/A

### Packaging

Carton Type	EPS protection
Gross Weight	8.96Kg
Carton Size	505mm x 210mm x 460mm
Pack QTY	1

Abey are Australia's leaders in sinkware, designing and manufacturing to the world's highest quality specifications as well as sourcing and bringing you Europe's very best, leading edge designs – practical, affordable, inspirational, stylish, timeless or cutting edge. When you buy an Abey stainless steel sink you receive the highest quality and 25 year warranty. Abey and the manufacturer are continually seeking ways to improve the design specifications, aesthetic and production techniques of the products. As a result, alterations to the specifications and dimensions of the products and designs occur continually.