






Model Code: EUA100

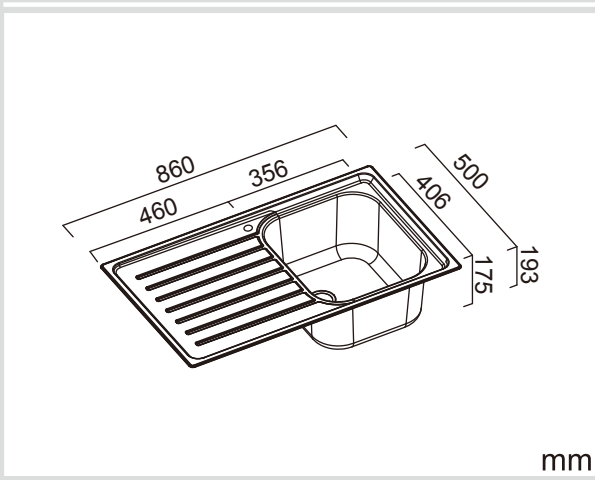
Included Accessories

| | | |
|---|---|---|
|  |  |  |
| Icp | 6020 | Seal Strip |

Optional Accessories

| | | |
|--|---|--|
|  |  | |
| CBB371 | DR006 | |

Dimensions



Specifications

| | |
|-------------------|--|
| Description | Single bowl with one Drainer, inset sink |
| Overall Sink Size | 860mm x 500mm x 193mm deep |
| Bowl Dimensions | 356mm x 406mm x 175mm deep |
| Drainer Length | 460mm |
| Technic | Pressed |
| Material | Stainless steel SUS304 |

Installation

| | |
|------------------|--|
| Fixings | Inset clips supplied |
| Template | Supplied |
| Min Cabinet Size | 425mm |
| Waste Holes | 1 x 90mm round Compatible with waste disposal |

Plumbing

| | |
|----------------|---------------------------------------|
| Waste Fittings | 1 x (90mm x 2") basket waste included |
| Overflow | Available, conditions apply |

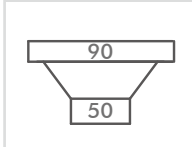
Packaging

| | |
|--------------|------------------------------------|
| Carton Type | EPS protection & individual sleeve |
| Gross Weight | 3.5Kg |
| Sleeve Size | 900mm x 540mm x 210mm |
| Pack QTY | 1 |

SURFACE FINISH



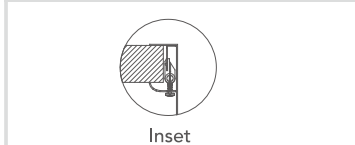
WASTE KIT



MATERIAL



INSTALLATION OPTIONS



PROFILE



Abey are Australia's leaders in sinkware, designing and manufacturing to the world's highest quality specifications as well as sourcing and bringing you Europe's very best, leading edge designs – practical, affordable, inspirational, stylish, timeless or cutting edge. When you buy an Abey stainless steel sink you receive the highest quality and 25 year warranty. Abey and the manufacturer are continually seeking ways to improve the design specifications, aesthetic and production techniques of the products. As a result, alterations to the specifications and dimensions of the products and designs occur continually.