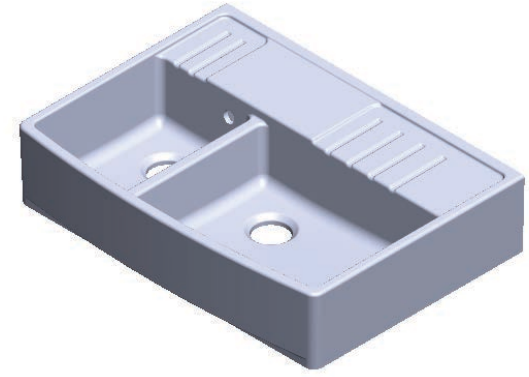
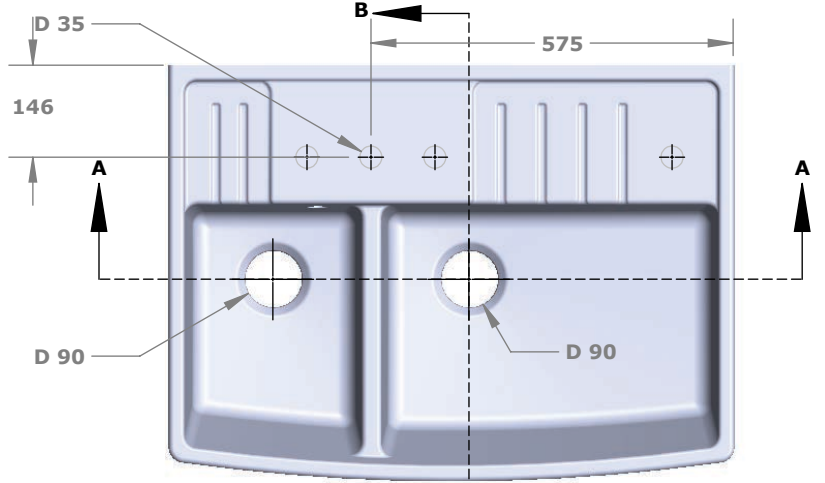


2

1

B

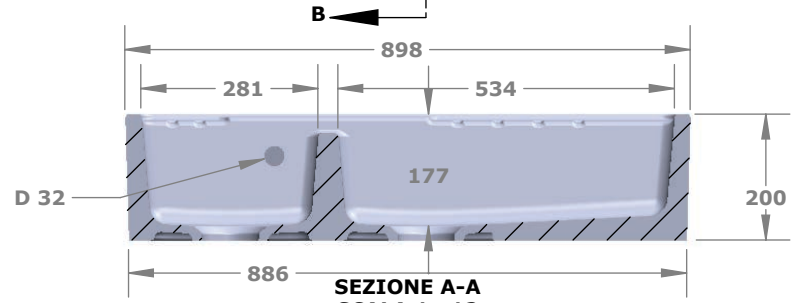
B



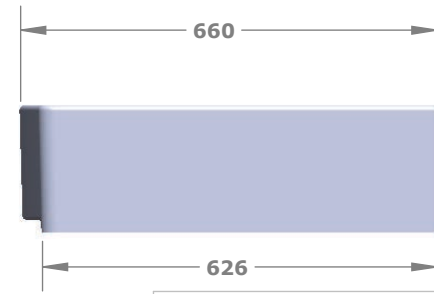
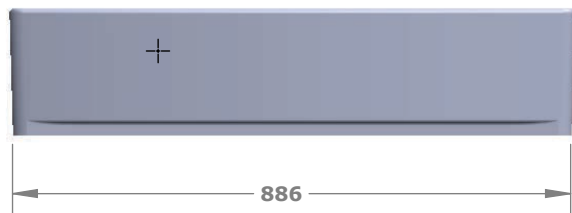
**SEZIONE B-B
SCALA 1 : 12**

A

A



**SEZIONE A-A
SCALA 1 : 12**



PROPRIETARY AND CONFIDENTIAL
 THE INFORMATION CONTAINED IN THIS
 DRAWING IS THE SOLE PROPERTY OF
 <INSERT COMPANY NAME HERE>. ANY
 REPRODUCTION IN PART OR AS A WHOLE
 WITHOUT THE WRITTEN PERMISSION OF
 <INSERT COMPANY NAME HERE> IS
 PROHIBITED.

SIZE	DWG. NO.	REV
A		
SCALE: 1:20		SHEET 1 OF 1

2

1