



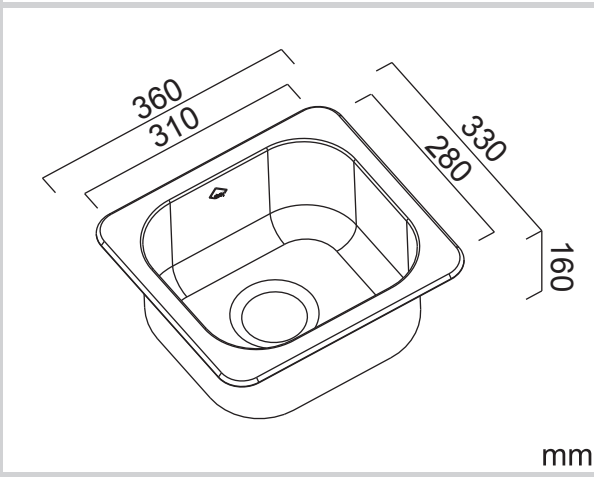
Model Code: BSS

Included Accessories

		
Inset Clip	6020	

Optional Accessories

Dimensions



Specifications

Description	Single bowl, inset sink
Overall Sink Size	360mm x 330mm x 160mm deep
Bowl Dimensions	310mm x 280mm x 160mm deep
Drainer Length	N/A
Technic	Pressed
Material	Stainless steel SUS304

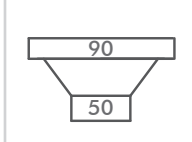
Installation

Fixings	Inset clips supplied
Template	N/A
Min Cabinet Size	380mm
Waste Holes	1 x 90mm round Compatible with waste disposal

SURFACE FINISH



WASTE KIT



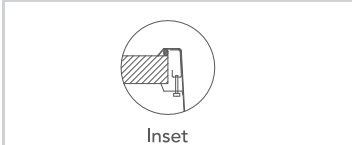
MATERIAL



Plumbing

Waste Fittings	1 x (90mm x 2") basket waste included
Overflow	Available, conditions apply

INSTALLATION OPTIONS



PROFILE



Packaging

Carton Type	EPS protection & sleeve
Gross Weight	1.47Kg
Carton Size	430mm x 430mm x 400mm
Pack QTY	5