



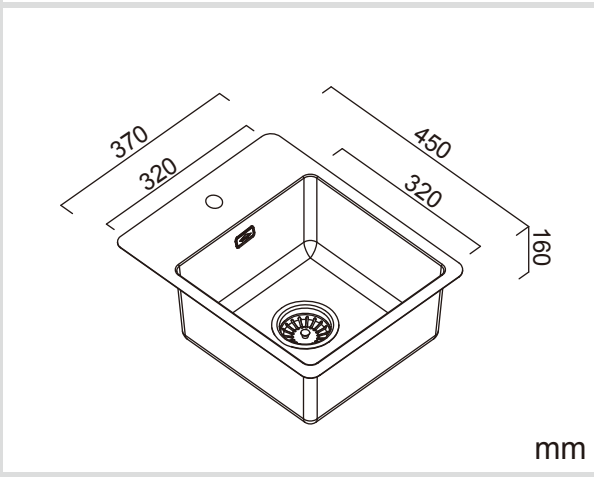
Model Code: BS2

### Included Accessories

		
ICP	6020	

### Optional Accessories


### Dimensions



### Specifications

Description	Single bowl, Inset Sink
Overall Sink Size	370mm x 450mm x 160mm deep
Bowl Dimensions	320mm x 320mm x 160mm deep
Drainer Length	N/A
Technic	Pressed
Material	Stainless steel SUS304

### Installation

Fixings	Inset clips supplied
Template	N/A
Min Cabinet Size	450mm
Waste Holes	1 x 90mm square Compatible with waste disposal
Sealing Strip	N/A

### Plumbing

Waste Fittings	1 x (90mm x 2") basket waste included
Overflow	Rectangular Overflow

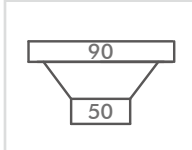
### Packaging

Carton Type	EPS protection & Carton
Gross Weight	3.2Kg
Carton Size	375mm x 455mm x 165mm
Pack QTY	1

#### SURFACE FINISH



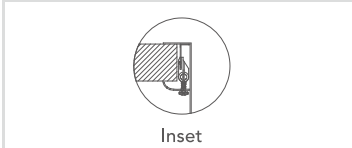
#### WASTE KIT



#### MATERIAL



#### INSTALLATION OPTIONS



#### PROFILE

